

Galvanized Earthing Strip "Coil"

Galvaniz Topraklama Şeridi "Rulo"



	Order Code Sipariş Kodu	C.Section Kesit (mm)	Length Uzunluk (m)	Weight* Ağırlık (Kg/m)
	EGS-303	30x3	50	0.740
50	EGS-3035	30x3,5	50	0.840
	EGS-254	25x4	30	0.800
30	EGS-404	40x4	30	1.320

Galvanized Earthing Strip

Galvaniz Topraklama Şeridi



	Order Code Sipariş Kodu	C.Section Kesit (mm)	Length Uzunluk (m)	Weight* Ağırlık (Kg/m)
	EGS-405	40x5	6	1.620
	EGS-505	50x5	6	2.000
6	EGS-605	60x5	6	2.400

Galvanized Mono Wire

Galvaniz Mono Tel

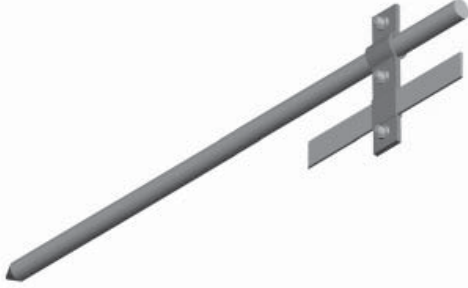


	Order Code Sipariş Kodu	C.Section Kesit (mm ²)	Diameter Çap (Ø)	Weight* Ağırlık (Kg/m)
8	EGMW-50	50	8	0.410
10	EGMW-70	70	10	0.635

EGSSERIES

Galvanized Earthing Electrode

Galvaniz Topraklama Elektrodu

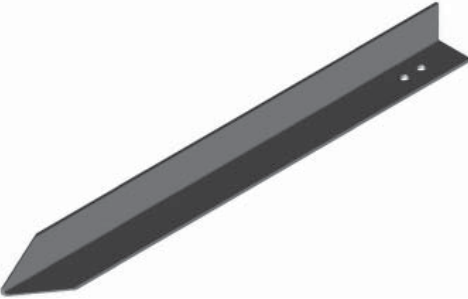


	Order Code Sipariş Kodu	Diameter Çap (Ø)	Length Uzunluk (mm)	Weight* Ağırlık (Kg/Pcs)
	EGGE-18100	18	1000	2.040
	EGGE-18150	18	1500	3.110
18	EGGE-18175	18	1750	3.615
	EGGE-20100	20	1000	2.520
	EGGE-20150	20	1500	3.800
20	EGGE-20175	20	1750	4.390

EGSSERIES

Galvanized Earthing Electrode (Angle Type)

Galvaniz Topraklama Kazığı "Köşebent Tip"

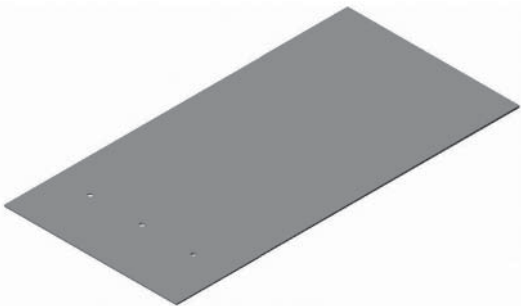


	Order Code Sipariş Kodu	axbxt (mm)	Length Uzunluk (mm)	Weight* Ağırlık (Kg/Pcs)
	EGGE-40404-1000	40x40x4	1000	2.510
40	EGGE-40404-1500	40x40x4	1500	3.760
	EGGE-50505-1000	50x50x5	1000	3.900
50	EGGE-50505-1500	50x50x5	1500	5.850
	EGGE-60606-1000	60x60x6	1000	5.400
60	EGGE-60606-1500	60x60x6	1500	8.200
65	EGGE-65657-1500	65x65x7	1500	10.700

EGSSERIES

Galvanized Earthing Plate

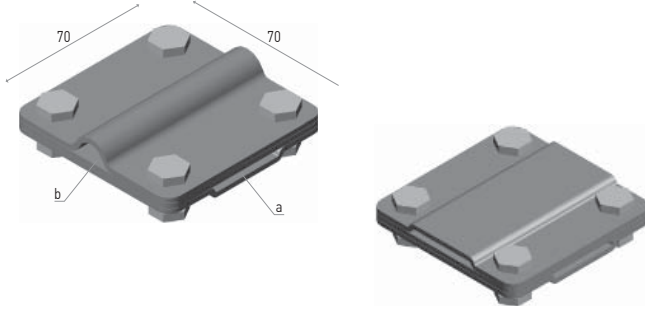
Galvaniz Topraklama Levhası



	Order Code Sipariş Kodu	axbxt (mm)	Weight* Ağırlık (Kg/Pcs)
1.00	EGGP-10010	1000x500x1	4.200
2.00	EGGP-10020	1000x500x2	8.200
2.50	EGGP-10025	1000x500x2.5	10.150
3.00	EGGP-10030	1000x500x3	12.000

Connection Clamps

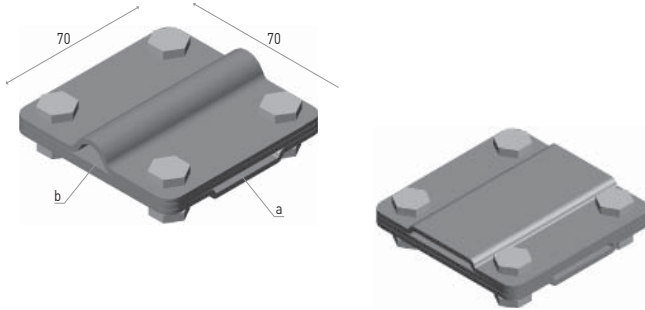
Bağlantı Klemensleri



Order Code Sipariş Kodu	a (mm)	b (mm/ Ø)	Weight* Ağırlık (Kg/Pcs)
EGGC-254	25x4	25x4	0.280
EGGC-25408	25x4	8	0.280
EGGC-25412	25x4	12	0.280
EGGC-25416	25x4	16	0.280
EGGC-25420	25x4	20	0.280
EGGC-25426	25x4	26	0.280
25x4 EGGC-25432	25x4	32	0.280

Connection Clamps

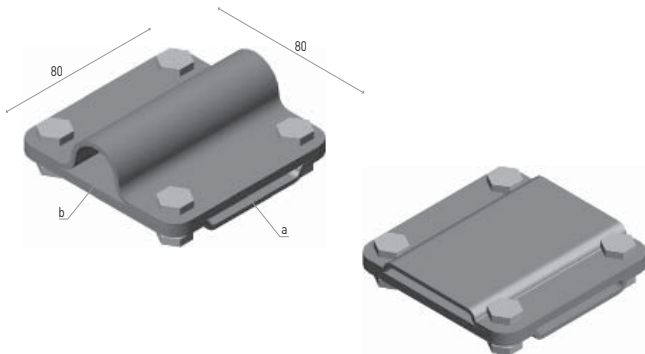
Bağlantı Klemensleri



Order Code Sipariş Kodu	a (mm)	b (mm/ Ø)	Weight* Ağırlık (Kg/Pcs)
EGGC-303	30x3	30x3	0.280
EGGC-30308	30x3	8	0.280
EGGC-30312	30x3	12	0.280
EGGC-30316	30x3	16	0.280
EGGC-30320	30x3	20	0.280
EGGC-30326	30x3	26	0.280
30x3 EGGC-30332	30x3	32	0.280

Connection Clamps

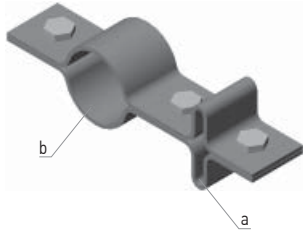
Bağlantı Klemensleri



Order Code Sipariş Kodu	a (mm)	b (mm/ Ø)	Weight* Ağırlık (Kg/Pcs)
EGGC-404	40x4	40x4	0.360
EGGC-40408	40x4	8	0.360
EGGC-40412	40x4	12	0.360
EGGC-40416	40x4	16	0.360
EGGC-40420	40x4	20	0.360
EGGC-40426	40x4	26	0.360
40x4 EGGC-40432	40x4	32	0.360

Galvanized Vertical Connection Parts

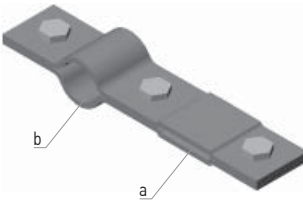
Galvaniz Dikey Bağlantı Elemanı



	Order Code Sipariş Kodu	a (mm)	b (mm/ Ø)	Weight* Ağırlık (Kg/Pcs)
	EGVC-30308	30x3	8	0.220
	EGVC-30312	30x3	12	0.220
	EGVC-30316	30x3	16	0.220
	EGVC-30320	30x3	20	0.220
	EGVC-30326	30x3	26	0.220
30x3	EGVC-30332	30x3	32	0.220
	EGVC-40408	40x4	8	0.260
	EGVC-40412	40x4	12	0.260
	EGVC-40416	40x4	16	0.260
	EGVC-40420	40x4	20	0.260
	EGVC-40426	40x4	26	0.260
40x4	EGVC-40432	40x4	32	0.260

Galvanized Horizontal Connection Parts

Galvaniz Yatay Bağlantı Elemanı



	Order Code Sipariş Kodu	a (mm)	b (mm/ Ø)	Weight* Ağırlık (Kg/Pcs)
	EGHC-30308	30x3	8	0.220
	EGHC-30312	30x3	12	0.220
	EGHC-30316	30x3	16	0.220
	EGHC-30320	30x3	20	0.220
	EGHC-30326	30x3	26	0.220
30x3	EGHC-30332	30x3	32	0.220
	EGHC-40408	40x4	8	0.260
	EGHC-40412	40x4	12	0.260
	EGHC-40416	40x4	16	0.260
	EGHC-40420	40x4	20	0.260
	EGHC-40426	40x4	26	0.260
40x4	EGHC-40432	40x4	32	0.260

Galvanized Earthing Crotchet

Galvaniz Topraklama Kroşesi



	Order Code Sipariş Kodu	C. Section Kesit (mm/ Ø)	Weight* Ağırlık (Kg/Pcs)
30x3	EGC-303	30x3	0.030
40x4	EGC-404	40x4	0.055
8	EGC-150	8	0.030

Equipotential Busbar (Galvanized)

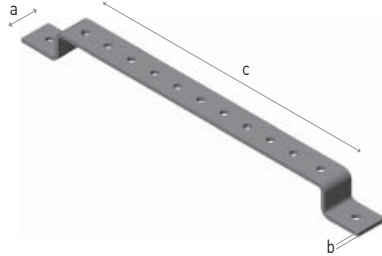
Eşpotansiyel Bara (Galvaniz)

Order Code
Sipariş Kodu

axbxc
(mm)

Weight*
Ağırlık
(Kg/Pcs)

30x5	EGEB-305-300-01	30x5x300	0.540
40x5	EGEB-405-400-01	40x5x400	0.890
50x5	EGEB-505-500-01	50x5x500	1.300



Equipotential Busbar (Copper)

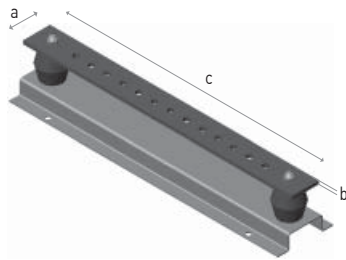
Eşpotansiyel Bara (Bakır)

Order Code
Sipariş Kodu

axbxc
(mm)

Weight*
Ağırlık
(Kg/Pcs)

30x5	EGEB-305-300-02	30x5x300	0.950
40x5	EGEB-405-400-02	40x5x400	1.400
50x5	EGEB-505-500-02	50x5x500	1.960



Equipotential Busbar (Copper)

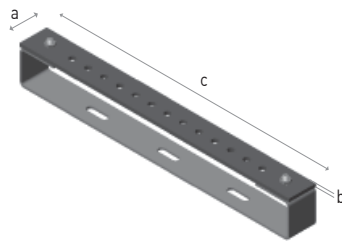
Eşpotansiyel Bara (Bakır)

Order Code
Sipariş Kodu

axbxc
(mm)

Weight*
Ağırlık
(Kg/Pcs)

30x5	EGEB-305-300-03	30x5x300	0.740
40x5	EGEB-405-400-03	40x5x400	1.260
50x5	EGEB-505-500-03	50x5x500	1.900



Equipotential Busbar (Tinned)

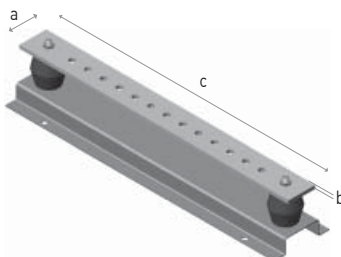
Eşpotansiyel Bara (Kalaylı)

Order Code
Sipariş Kodu

axbxc
(mm)

Weight*
Ağırlık
(Kg/Pcs)

30x5	EGEB-305-300-04	30x5x300	0.950
40x5	EGEB-405-400-04	40x5x400	1.400
50x5	EGEB-505-500-04	50x5x500	1.960



EGSSERIES

Brass Fixing Connectors

Prinç Tespit Klemensleri

Order Code
Sipariş Kodu

C.Section
Kesit
(mm)

A
(mm)

B
(mm)

Weight*
Ağırlık
(Kg/Pcs)

10-35	EGHB-1	10-35	8	14	0.030
35-70	EGHB-2	35-70	10	16	0.055
70-150	EGHB-3	70-150	16	27	0.115
150-185	EGHB-4	150-185	18	32	0.160



EGSSERIES

Brass Fixing Connectors

Prinç Tespit Klemensleri

Order Code
Sipariş Kodu

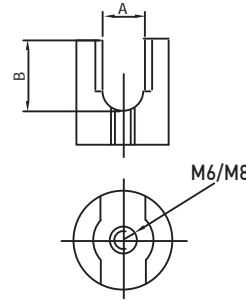
C.Section
Kesit
(mm)

A
(mm)

B
(mm)

Weight*
Ağırlık
(Kg/Pcs)

10-35	EGSB-1	10-35	8	14	0.029
35-70	EGSB-2	35-70	10	16	0.050
70-150	EGSB-3	70-150	16	27	0.110
150-185	EGSB-4	150-185	18	32	0.150



M6/M8